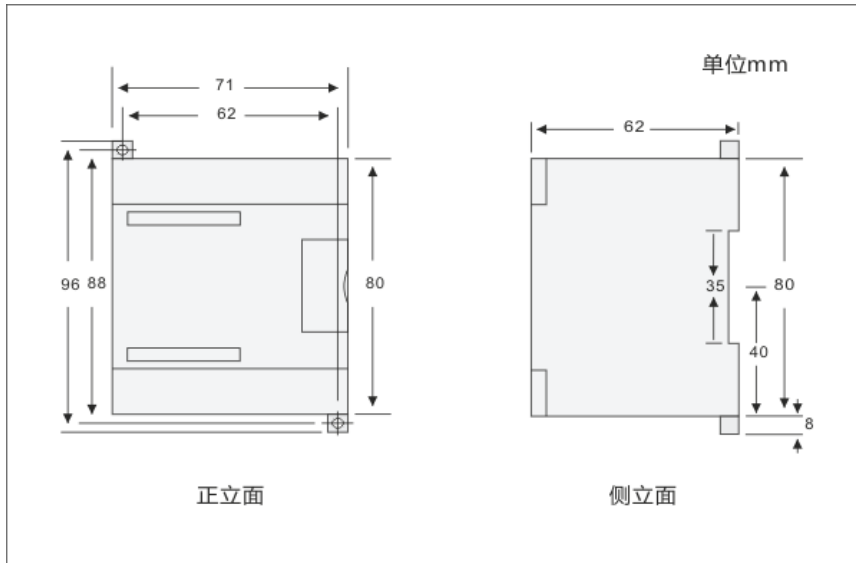


Tehničke specifikacije

Specification	EM231, 8 AI×11BIT
Physical Features	
Dimensions(W×H×D)	71.2×80×62mm
Power Loss(dissipation)	1W
Power Consumption	
From +5V(from I/O bus)	25 mA
From L+	30 mA
L+ voltage range,class 2 or DC sensor supply	20.4 ~ 28.8V DC
LED indicator	24 VDC Power Supply Good ON = no fault, OFF = no 24 VDC power
Analog Input Feature	
Number of analog input points	8 points
Isolation(field side to logic circuit)	500V AC for 1 minute
input type	Differential
Input Range	
Current (unipolar)	0—20mA 、 4—20mA
Data Range	
Bipolar, full-scale range	0 ~ 32000
Input Resolution	
Current (unipolar)	0.000625mA (0 ~ 20mA) 0.0005mA (4 ~ 20mA)
Analog to digital conversion time	About 10ms
Analog input step response	About 80ms
Common mode rejection	40dB , DC to 60Hz
Common mode voltage	Signal voltage plus Common mode voltage must be $\leq \pm 12V$

Input Impedance	250Ω
Input filter attenuation	-3db @ 3.1kHz
Maximum input voltage	--
Maximum input current	30mA
ADC resolution	16BIT

Dimenzije



Šema spajanja

